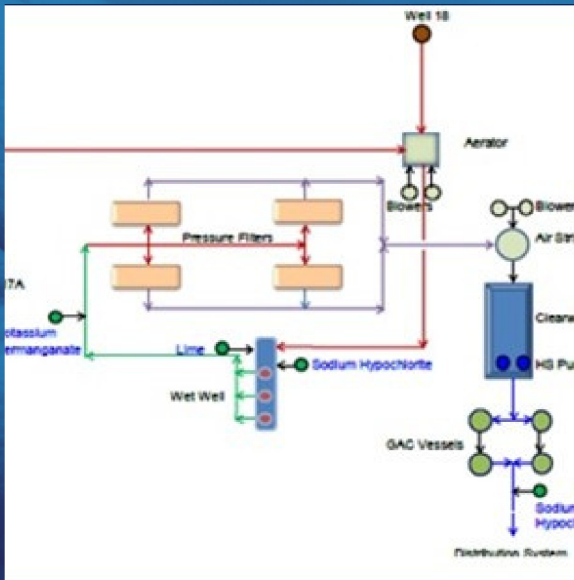


Camden PFAS Project

PARKSIDE WTP PFAS TREATMENT PROCESS FLOW



Project Summary

Grant Engineering provided the preliminary design for a system to remove PFAS compounds from the potable water supply associated with the Parkside Water Treatment Plant (WTP).

The \$10 million project involves installing Granulated Activated Carbon (GAC) contactors and associated equipment at the Parkside WTP. GECG is providing weekly engineering support.

Services Provided

- > **Design**
 Review water quality data for previous year related to PFAS and other emerging contaminants, to ascertain the proper treatment scenario to address PFAS and 1,4 Dioxane. Develop conceptual design of the treatment system. Perform a site survey to determine if there is property available to install the selected treatment regimen for each Water Treatment Plant (WTP) site. .
- > **Engineering Support**
 Participate in weekly project updates with the Owner, Client, and the Contract Operator to provide input on construction and regulatory concerns as they arise.

Project Info.

Location: Camden, NJ
Cost: \$10,000,000
Started: November 2020
Completed: Ongoing

Market Sector

Water



PLANNING
 Infrastructure Assessment
 Capital Improvement
 Land Use Master Plans



ENGINEERING
 Site Civil Engineering
 Structural Engineering



SURVEYING
 Boundary Surveys
 Topographic Surveys
 Construction Stakeout
 Infrastructure Mapping



CONSTRUCTION
 Construction Management
 Program Management
 Construction Inspection
 Contract Administration